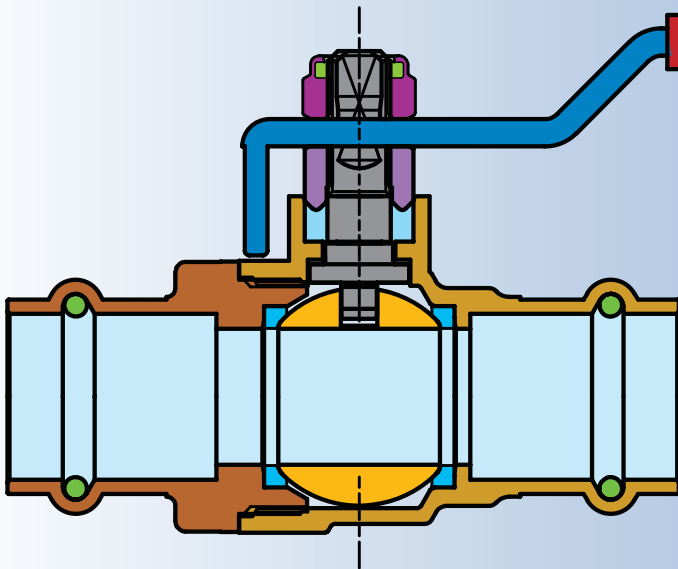
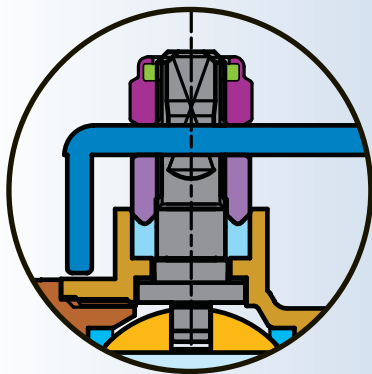


# BASIC PRESS JOINT

# FULL BORE BALL VALVE WITH PRESS CONNECTION JOINT

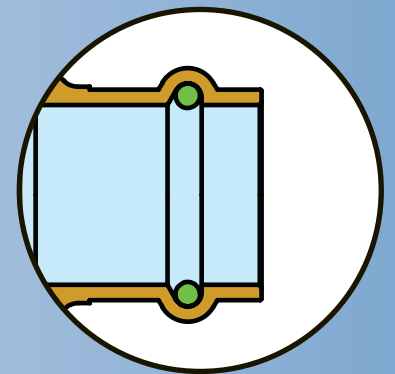


- |                       |    |  |
|-----------------------|----|--|
| BODY                  | 1  |  |
| CW 617 N UNI EN 12165 |    |  |
| END ADAPTER           | 2  |  |
| CW 617 N UNI EN 12165 |    |  |
| BALL                  | 3  |  |
| CW 614 N UNI EN 12164 |    |  |
| BALL GASKETS          | 4  |  |
| P.T.F.E.              |    |  |
| STEM                  | 5  |  |
| CW 614 N UNI EN 12164 |    |  |
| THRUST WASHER         | 6  |  |
| P.T.F.E.              |    |  |
| STEM PACKING          | 7  |  |
| P.T.F.E.              |    |  |
| GLAND                 | 8  |  |
| CW 614 N UNI EN 12164 |    |  |
| HANDLE                | 9  |  |
| STEEL FE P02          |    |  |
| SELF-LOCKING NUT      | 10 |  |
| 8G STEEL              |    |  |
| ELASTOMER             | 11 |  |

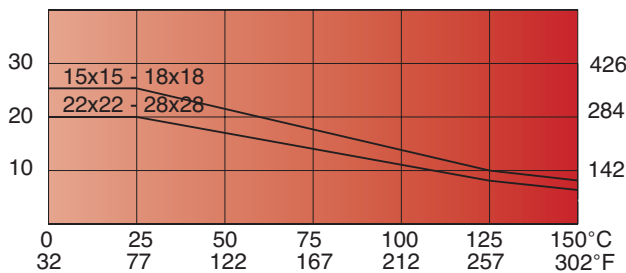


### DOUBLE SEAL BLOW OUT-PROOF STEM

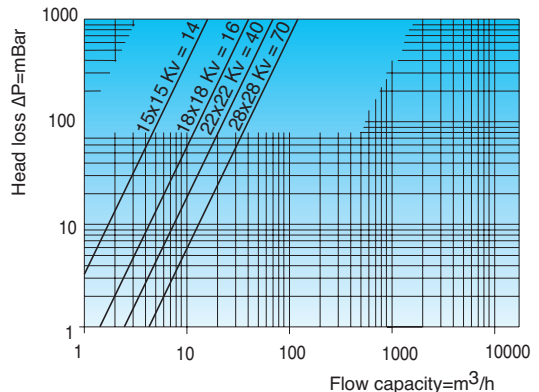
- The **BASIC** ball valves are bottom loaded stem designed. This "anti-blow-out" stem also prevents from tampering with the internals of the valve when in the line.
- The double seal is performed by an anti-friction teflon thrust washer, working as a high pressure gasket.
- Comply to **UNI 11065**.



### PRESSURE/TEMPERATURE DIAGRAM



### LOSS OF HEAD DIAGRAM



## FEATURES

- Standard line, full bore.
- Perfect seal at low and high pressure.
- Wear resistant, solid and long lasting materials.
- Rapid on/off 90° turn operation.
- Easy visual control of open/closed position.

## END CONNECTIONS

- Press joint to UNI 11065.
- Screwed to ISO 228/1 standard.

## UTILISATION

- The **BASIC** ball valves are suitable for hot and cold water, compressed air, oils, non-corrosive fluids and hydrocarbons in general.

- For special uses, see the table of chemical resistance contact Enolgas.

## WORKING PRESSURE

- See diagram.

## TEMPERATURE LIMITS

- -20°C +140°C

## LEAD WASHED BRASS VALVES (available on request)

- It is possible to receive the BASIC valves in the lead washed version upon request.
- Recent studies have indeed proven that brass valves and cocks release significant quantities of

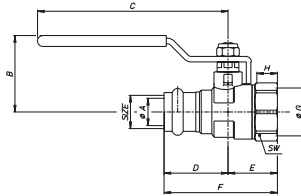
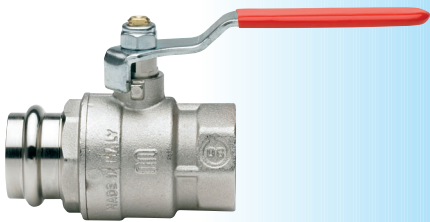
lead (which is contained in each lead alloy) in water. This quantity is higher in the first months of use of the valve.

- Enolgas Bonomi S.p.A. has managed to take lead away from the brass surface in a simple and cheap way, by using a patented washing process.

■ The products which undergo this process are completely according to the new standards concerning the release of lead in drinkable water.

- As a consequence of such process, the release of lead is always lower than 10 micrograms/liter, which is the value recommended by the WHO (World Health Organization).

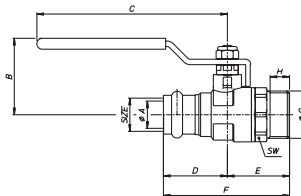
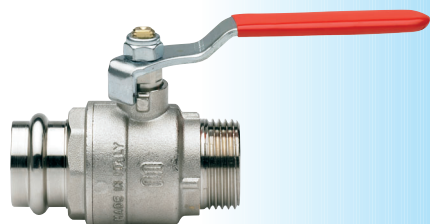
### Art. S.1121



Full bore ball valve joint connection/female, nickel-plated with steel handle (available with aluminium handle and T-handle also).

SIZE	mm 15	mm 18	mm 22	mm 28					
øA bore	12,5	15	20	25					
B mm	39,5	41	48,5	52,5					
C mm	90	90	105	105					
D mm	31,75	35,25	40,5	46,1					
E mm	25,75	27,25	29,25	34,9					
F mm	57,5	62,5	69,75	81					
G mm	½"	¾"	¾"	1"					
H mm	9,5	10,2	11	12,5					
SW mm	25	30	31	38					

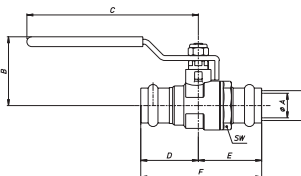
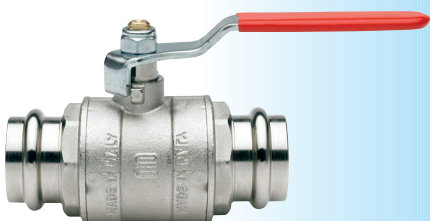
### Art. S.1122



Full bore ball valve joint connection/male, nickel-plated with steel handle (available with aluminium handle and T-handle also).

SIZE	mm 15	mm 18	mm 22	mm 28					
øA bore	12,5	15	20	25					
B mm	39,5	41	48,5	52,5					
C mm	90	90	105	105					
D mm	31,75	35,25	40,5	46,1					
E mm	32,75	34,25	40,5	44,4					
F mm	64,5	69,5	81	90,5					
G mm	½"	¾"	¾"	1"					
H mm	9,7	10,7	10,7	11,7					
SW mm	25	30	31	38					

### Art. S.1123



Full bore ball valve joint connection/joint connection, nickel-plated with steel handle (available with aluminium handle and T-handle also).

SIZE	mm 15	mm 18	mm 22	mm 28					
øA bore	12,5	15	20	25					
B mm	39,5	41	48,5	52,5					
C mm	90	90	105	105					
D mm	31,75	35,25	40,5	46,1					
E mm	36,75	38,75	43,5	47,4					
F mm	68,5	74	84	93,5					
SW mm	25	28	33	39					