



EKO • PLUG

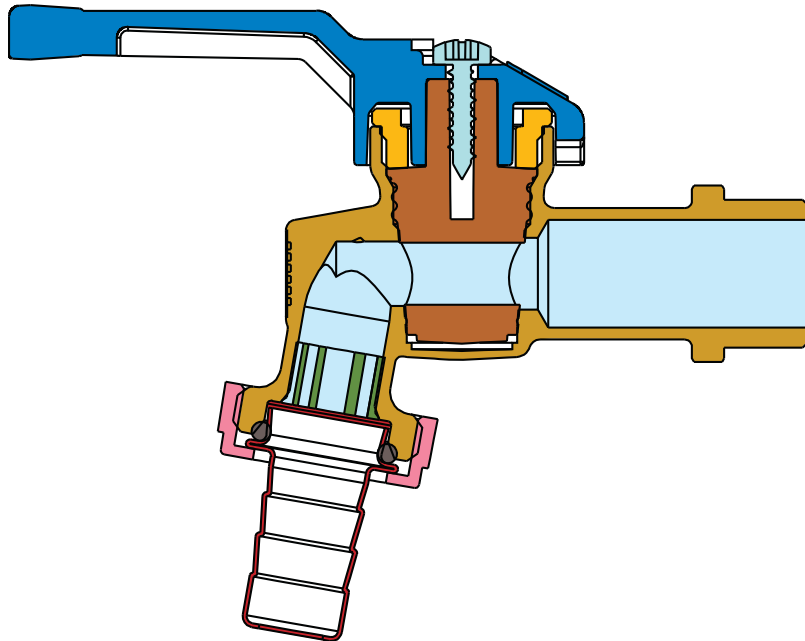


**ANGLED
PLUG COCK**





EKO • PLUG



- BODY 1
- JUMPER 2
- JUMPER GUIDE 3
- LEVER 4
- SCREW 5
- FLOW STRAINER 6
- HOSE CONNECTOR 7
- GASKET 8
- NUT 9

MATERIAL SPECIFICATION

COMPONENTS	DESCRIPTION
1 Body	CW 617 N UNI EN 12165 – Forged brass, nickel-plated
2 Jumper	Glass-filled nylon coated with rubber
3 Jumper guide	CW 614 N UNI EN 12164 – Glass-filled nylon
4 Lever	AL UNI5076 – Black plastic coated
5 Screw	8G Steel – Zinc-plated
6 Flow strainer	PE resin - Forged
7 Hose connector	Brass foil, nickel-plated
8 Gasket	NBR – Black rubber, cut off
9 Nut	Zinc-plated zamak

FEATURES

Accurate design, solid structure for a long-lasting product.
 Perfect tightness under all working conditions.
 Direct flow of fluids with minimum loss of head.
 Rapid on/off 90° turn operation.
Easy visual control of on/off position.
Resistant to aggressive fluids.

THREADS

Threaded ends according to ISO 228/1.

APPLICATIONS

Suitable for hot and cold water.

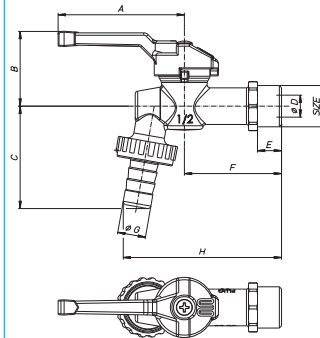
WORKING PRESSURE

Max PN16.

TEMPERATURE LIMITS

-20°C +60°C.

Art. S.0070 EKO•PLUG



Angled cock with jumper and hose connector, male-threaded, nickel-plated.

SIZE	1/2"								
øA bore	63								
B mm	36,9								
- C mm	51,1								
øD mm	10								
E mm	12								
F mm	48,5								
øG mm	14								
- H mm	82,5								
SW mm	25								

